

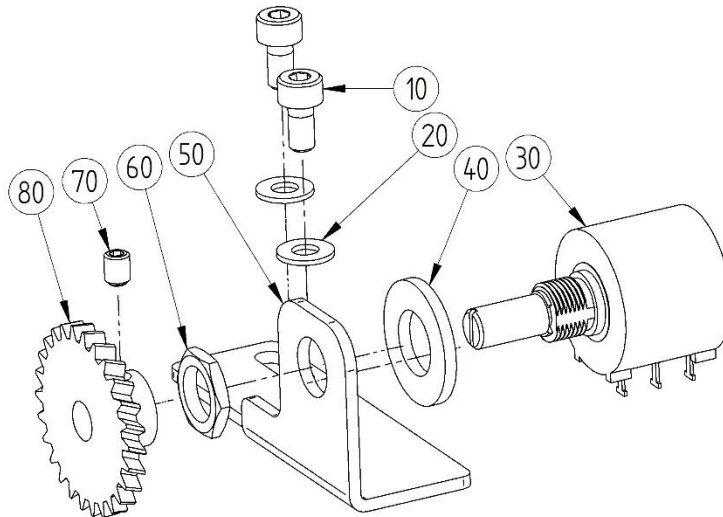
Instructie

PMS-T10

Montagevoorschrift
 Mounting instructions
 Montagevorschrift
 Instructions de montage

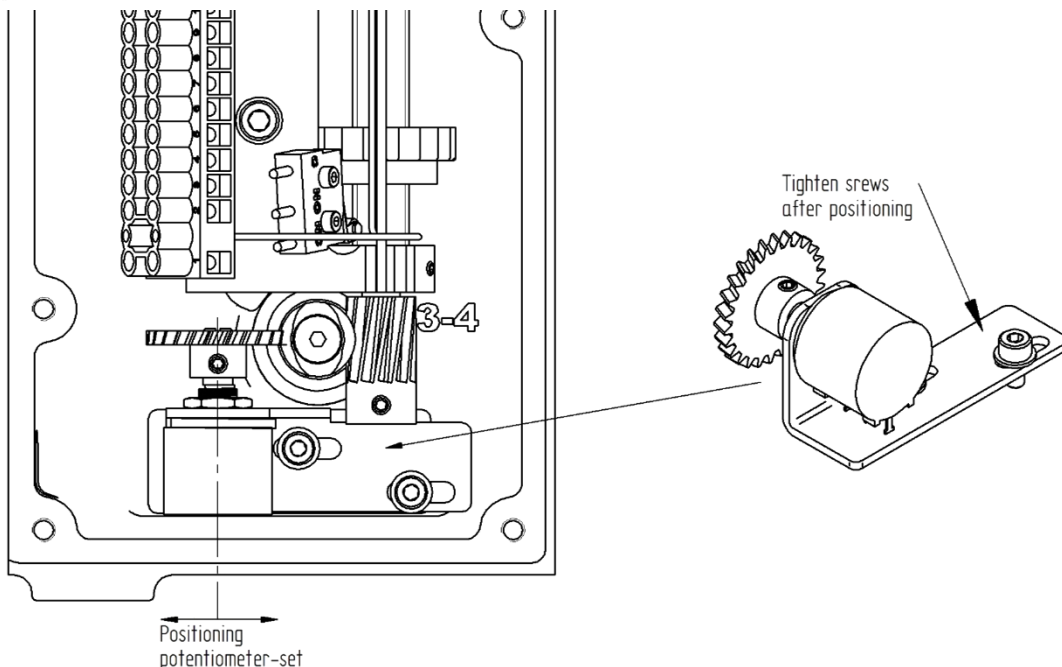
Assemblage volgorde - Assembly order - Montagefolge - séquence d'assemblage

1



Number	Name
10	Bolt M4
20	Washer M4
30	Potentiometer
40	Washer M10
50	Bracket
60	Nut
70	Socketscrew M4
80	Gearwheel

2



Attn. Mount gearwheels without axial force!!

Instructies | Anleitungen | Instructions | Instructions