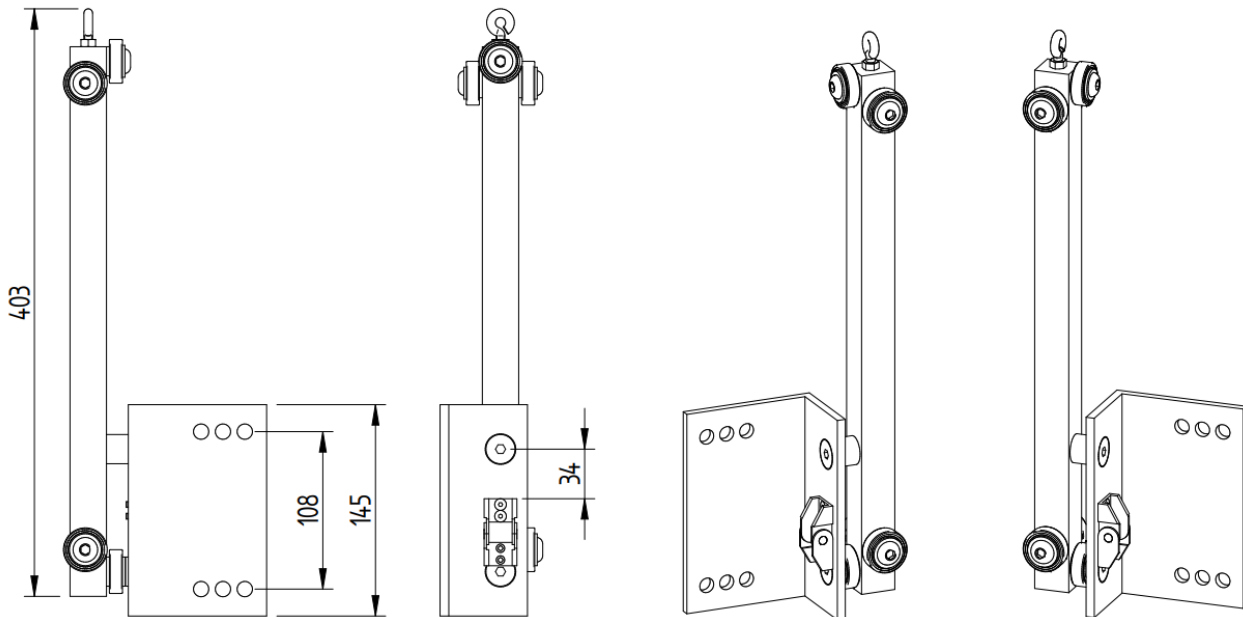


MB13

Geleidingsysteem
 Guidance system
 Führungssystem
 Boîte de guidage

MB-SERIE

MB13-L MB13-R



Specifications

TYPE		MB13-L	MB13-R
Mmax	[Nm]	250	250
m	[kg]	3	3
T-serie	[-]	TW2-L/TW2-D	TW2-R

OPTIONS	SPECIFICATIONS
Energy Chain	Available per meter
Counterweight	12 kg
Guiding Rail	4500 mm

Options

