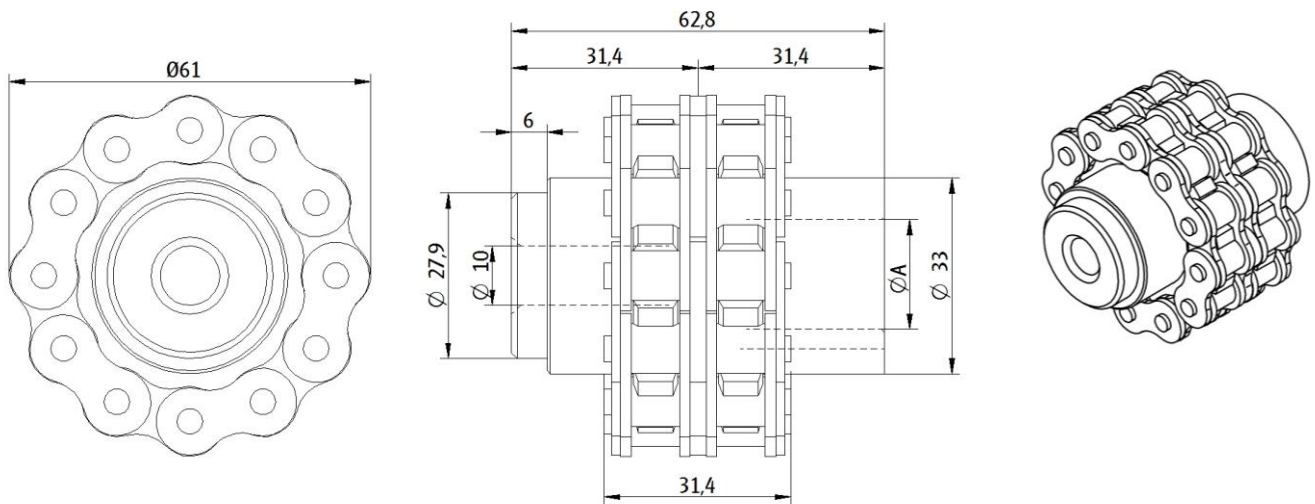


KM

120Nm

Kettingkoppeling
Chain coupling
Kettenkupplung
Accouplement a chaine



TYPE		KM19
M	[Nm]	120
ØA	[mm]	19
m	[kg]	0.6
DIN8187	[-]	1/2" x 5/16" (08B2)
Z	[-]	12

K-Serie