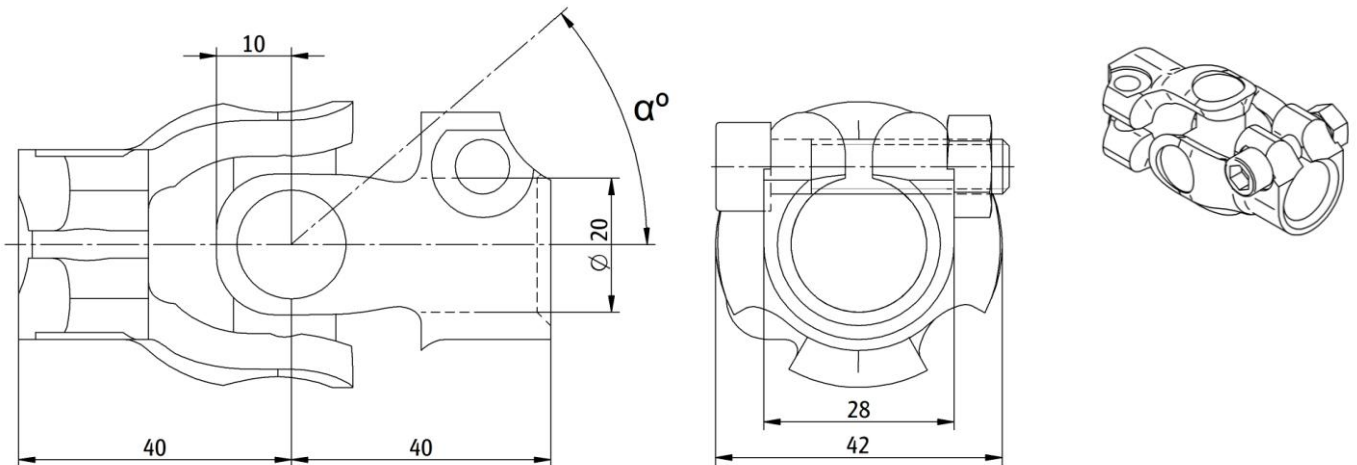


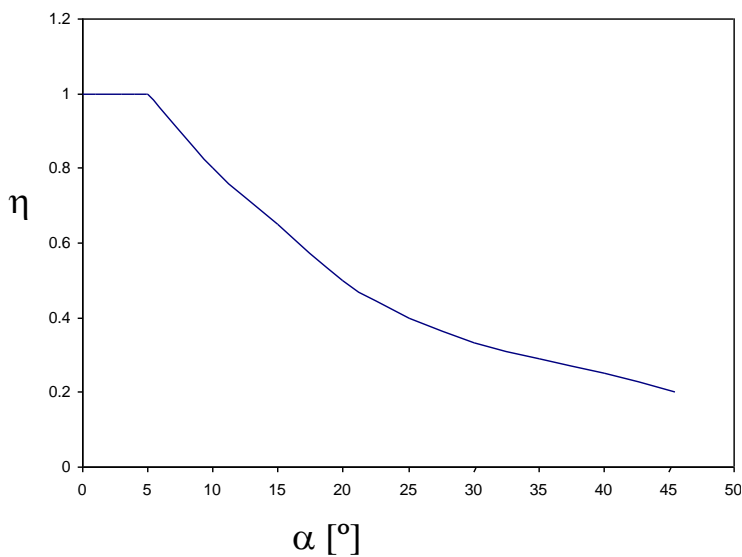
**KR**

**70Nm**

**Kruiskoppeling**  
**Cardan joint**  
**Kreuzgelenkkupplung**  
**Accouplement a cardan**



TYPE		KR7
$M_{max}$	[Nm]	70
$m$	[kg]	0.6
$M$	[Nm]	$M_{max} \times \eta$



**K-Serie**