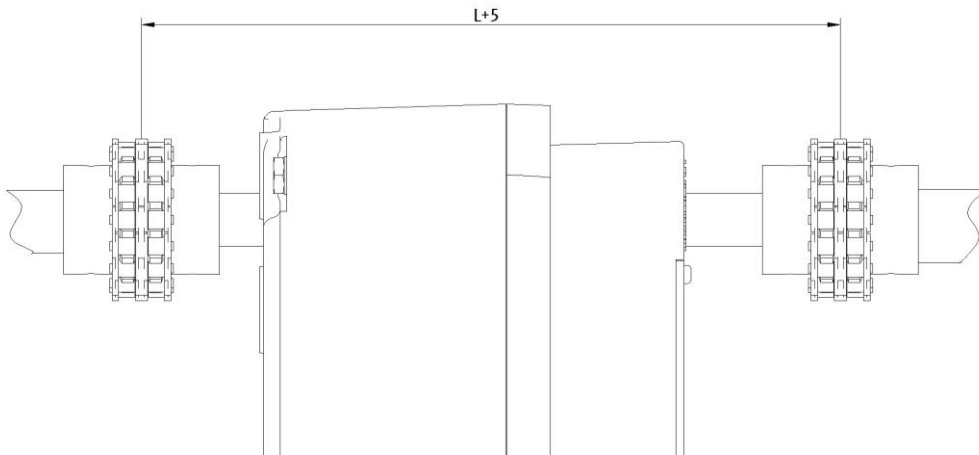
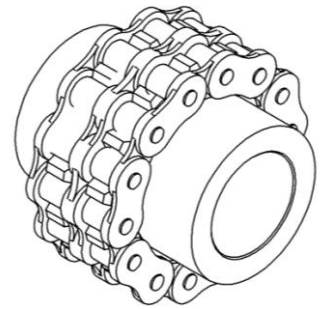
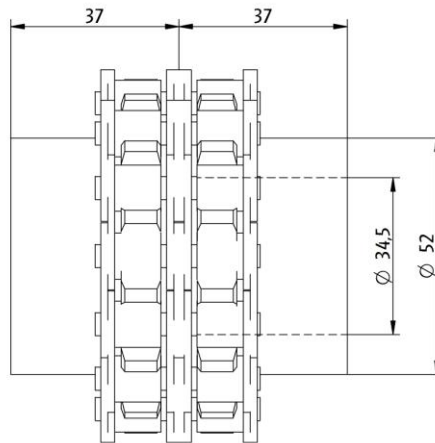
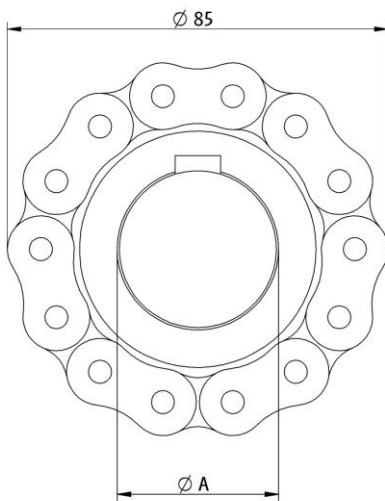


KK

650Nm

Kettingkoppeling
Chain coupling
Kettenkupplung
Accouplement a chaine



TYPE		KK25	KK35
M	[Nm]	350	650
ØA	[mm]	24.4	34.5
m	[kg]	1.2	1.1
DIN 8187	[-]	10B2 (5/8" x 3/8")	10B2 (5/8" x 3/8")
Z	[-]	14	14

K-Serie