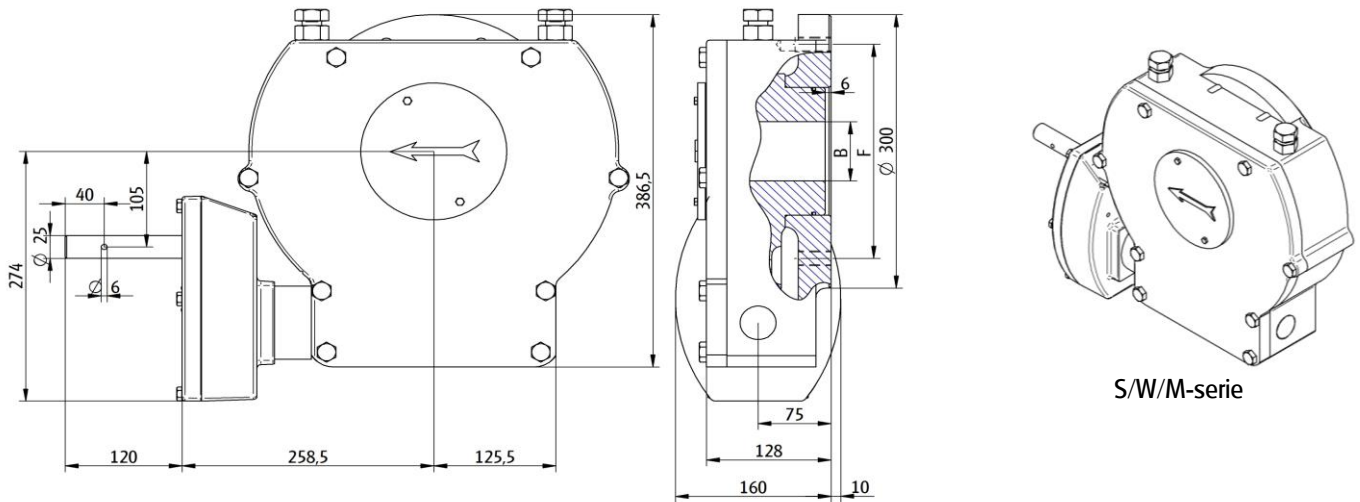


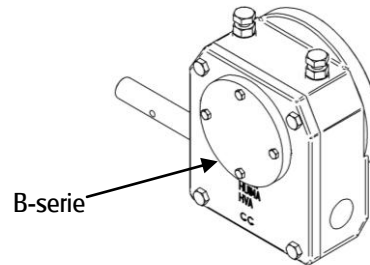
HVA-7504

17.500Nm

**Segmentkast
Actuator
Stellantrieb
Commande**



| TYPE | HVA-7504 -S / -M/ -W/ -B | |
|------|--------------------------|------------|
| M2 | [Nm] | 17.500 |
| M1 | [Nm] | 165 |
| MAF | [-] | 106 |
| i | [-] | 312:1 |
| m | [kg] | 77 |
| T | [°C] | -15...+45 |
| F | [ISO5211] | F16...F25 |
| ØB | [mm] | D65...D110 |
| ▣B | [mm] | V60...V80 |

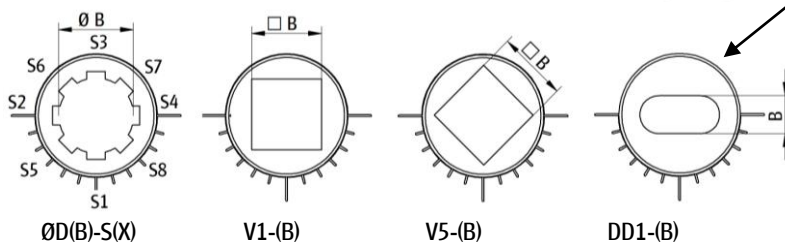


Ordercode: HVA-7504-[Type]-[Bore]-[Flange]-[Accessoires]

Example: HVA-7504 -S -D75-S1/S2 -F25 -HP400

[Type] S / -M / -W / -B

[Bore] Key, Square or Double-D (position "SHUT")



ØD(B)-S(X)

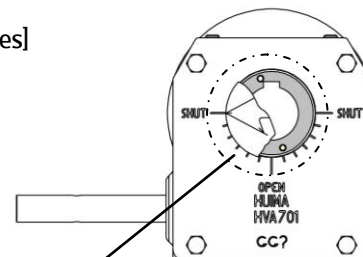
V1-(B)

V5-(B)

DD1-(B)

[Flange]

Flens (F) op wens volgens ISO 5211, zie technische informatie
Flansch (F) nach Wunsch, gemäß ISO 5211, siehe technische Daten
Flange (F) on request, according to ISO 5211, see technical data
Bride selon votre demande, suivant ISO 5211, voir données techniques



HVA-Serie

NL:

De HVA-7504 zelfremmende segmentkast is:

* Verkrijgbaar in de uitvoeringen S-W-M-B, voor specificaties zie Technische info

| | | |
|---------|---------------------|------|
| S-serie | Standaard | IP67 |
| M-serie | Zeeklimaatbestendig | IP67 |
| W-serie | Water service | IP68 |
| B-serie | Grondinbouw | IP68 |

* Een degelijke en compacte aandrijving met daardoor een lange levensduur.

* Onderhoudsvrij door levensduursmering.

* Standaard voorzien van coating: menie kleur rood.

UK:

The HVA-7504 self braking actuator has:

* Several technical outfits: Specifications see Technical data

| | | |
|----------|-------------------|------|
| S-series | Standard | IP67 |
| M-series | Marinised service | IP67 |
| W-series | Water service | IP68 |
| B-series | Buried service | IP68 |

* Long lifetime thanks to the solid and compact construction.

* Maintenance free operation by using Life Time lubrication.

* Standard coating with minium red.

DE:

Das HVA-7504 selbsthemmendes Stellantrieb ist :

* Lieferbar in nachfolgende Ausführungen, Spezifikationen siehe Technische Daten

| | | |
|---------|------------------------|------|
| S-Serie | Standard | IP67 |
| M-Serie | Salzwasserfest | IP67 |
| W-Serie | Trinkwasser zugelassen | IP68 |
| B-Serie | Erdeinbau | IP68 |

* Ein solide und kompakte Konstruktion, dadurch lange Lebensdauer gewährleistet.

* Wartungsfrei durch "Life-Time" Fett Schmierung.

* Standard Lackiert mit Mennige Rot

UK:

The HVA-7504 self braking actuator has:

* Several technical outfits: Specifications see Technical data

| | | |
|----------|-------------------|------|
| S-series | Standard | IP67 |
| M-series | Marinised service | IP67 |
| W-series | Water service | IP68 |
| B-series | Buried service | IP68 |

* Long lifetime thanks to the solid and compact construction.

* Maintenance free operation by using Life Time lubrication.

* Standard coating with minium red.

HVA-Serie